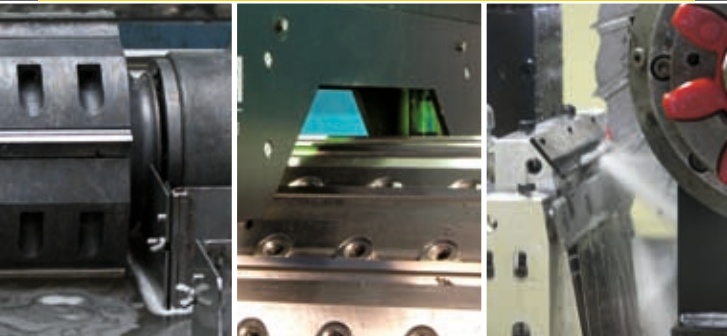


## ICA-HSM 680/1380

### Planing head grinding machine

Fully automatic, fully encapsulated CNC planing head and milling cutter grinding machine of the latest generation, with four linear and three rotational CNC axes, variable sliding feed, automatic variable division, automatic in-feed and optional laser measurement unit. For grinding planing shafts, planing heads and milling cutters.

- Grinding of planing shafts;
- Grinding of milling cutters;
- Dividing unit linearly guided, mountable on both sides (option milling cutter grinding dividing unit fixed – hydroclamping);
- Division variably adjustable;
- Intelligent grinding sequence of the individual blades, selectable, to reduce the plane cut, also when grinding milling cutters;
- Fully automatic in-feed;
- Steplessly adjustable grinding disc speed;
- Steplessly adjustable feeds;
- Automatically optimised grinding process;
- Graphical control desk with user guidance;
- Adaptable to all planing shaft systems (fixed axles and bearings, hydroclamping);
- Fully encapsulated

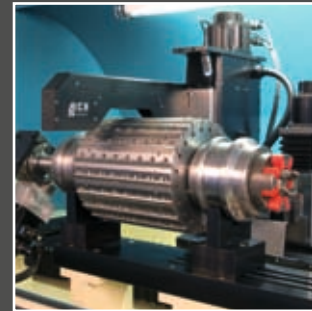


ICA Industrial Control & Automation GmbH  
Alter Holzhafen 15  
23966 Wismar  
Germany  
Tel.: +49 (0)3841-758 2450  
Fax: +49 (0)3841-758 2452  
E-mail [info@ica-gmbh.eu](mailto:info@ica-gmbh.eu)  
[www.ica-gmbh.eu](http://www.ica-gmbh.eu)



## Planing head / milling cutter grinding machine

### ICA-HSM 680/1380



*The new generation.*

## OPTIONS

- 2-axis CNC grinding unit for grinding side milling cutters;
- Laser measurement unit for measuring planing heads incl. 4th CNC axis with data output facility;
- Label printer for identification-marking the planing heads;
- Fully automatic puller;
- Data storage device (storage/retrieval of tool data);
- Data transfer to planing machine;
- Video remote maintenance via the Internet

Also available in simplified variants with some features removed.

Ask us.



Parameter input



Tool selection



Grinding settings



Grinding angle setting

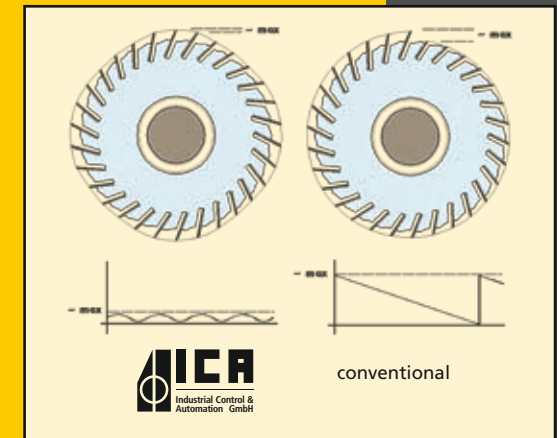


Machine service

## TECHNICAL DATA

Tool diameter	160–420 mm
Grinding length	up to 680/1,380 mm
Grinding motor	1.1 kW
Grinding disc speed	500–6,500 rpm
Cooling system with fill level monitoring:	approx. 150 l
Cooling rate:	approx. 100 l/min
Compressed air:	8–10 bar
Weight:	approx. 3,200 kg
Size L x W x H:	approx. 2,900 x 2,000 x 2,300 mm
Power installed:	400 V / 50 Hz / approx. 6 kW

## DIAGRAM



Plane cut



Planing head grinding machine ICA-HSM 680/1380



CNC planing head and milling cutter grinding machine ICA-HSM Multi